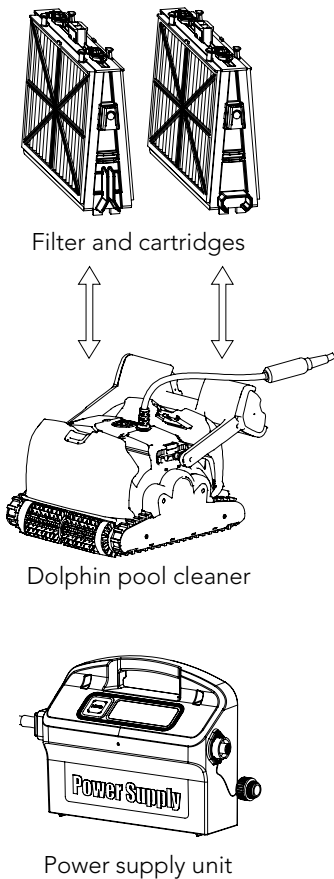


## What You'll Find Inside the Box

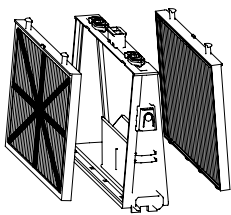


Part	X	Comment
Base frame for filter elements	2	
Ultra-fine filter	4 filters	
Bag for filters storage	1	
Spring net filter	4 filters	
"S" clip	4	
Power supply unit	1	
Dolphin pool cleaner	1	
Caddy kit	1	
Remote control unit	1	
<b>Optional components available on request from your Dolphin distributor</b>		

## Section 1 - Description of Main Components

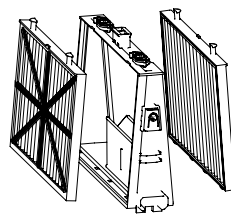
### 1. Filters

Dual-level filtration system.



#### Spring net filter + base frame

For dirty pools with large debris such as leaves etc. – Useful for beginning of season.

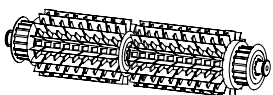


#### Ultra-fine filter cartridge + base frame

For day-to-day use.  
**Factory default.**

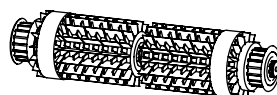
### 2. Brushes

There are three types of optional brushes, each designed to provide optimal traction on different pool surfaces. Only one type set is provided with your Dolphin.



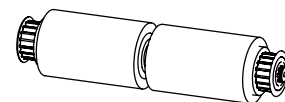
#### PVC Brush

For concrete, PVC, fiberglass and liner.



#### Combined Brush

For rough ceramic surface and mosaic tiles.



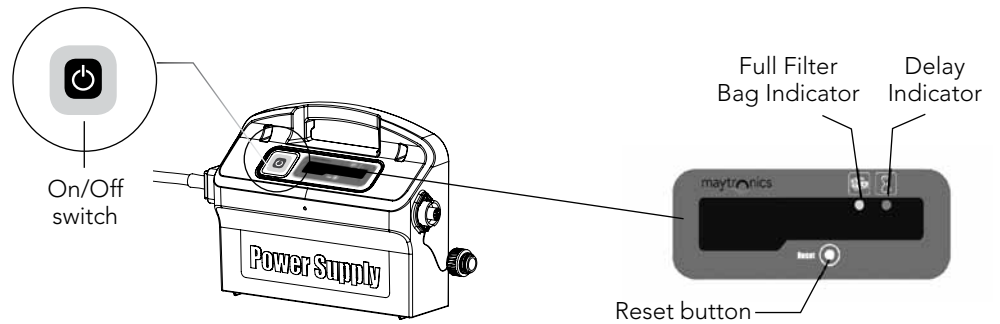
#### Wonder Brush

For smooth ceramics.

### 3. Power supply unit

#### Digital, "Switch-Mode" power supply:

- Input - 100-250 AC Volts
- 50-60 Hertz
- 180 Watt
- Output - 30 VDC
- IP 54



## Section 2 – Dolphin Operation

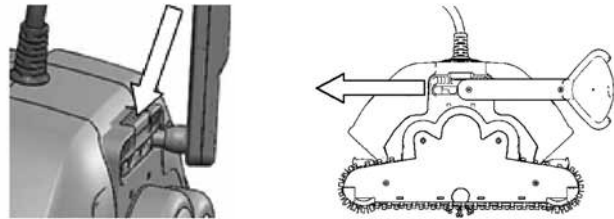
### Part 1 – Preparing the Dolphin pool cleaner for use

#### A. Assemble the Caddy kit – you will find the instructions in a separate document

#### B. Adjusting the handle float angle

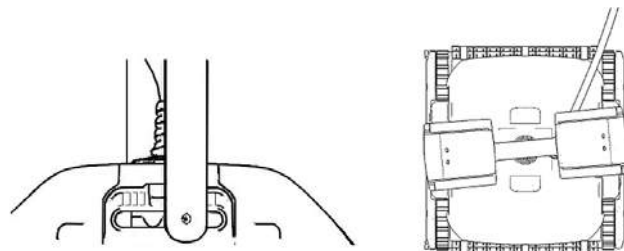
The handle angle must be adjusted to determine the speed that the Dolphin advances along the water-line.

1. Press the latch down and hold in position.
2. Move the handle to the required position and release the latch to lock the Handle in place.



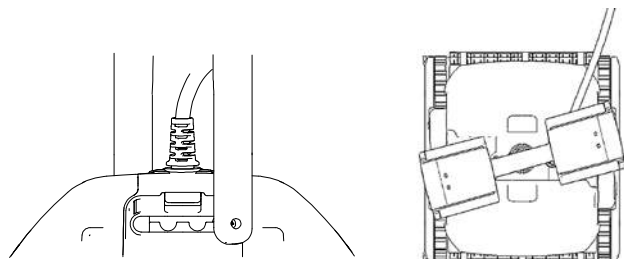
#### Normal advance

More efficient cleaning action on water-line.



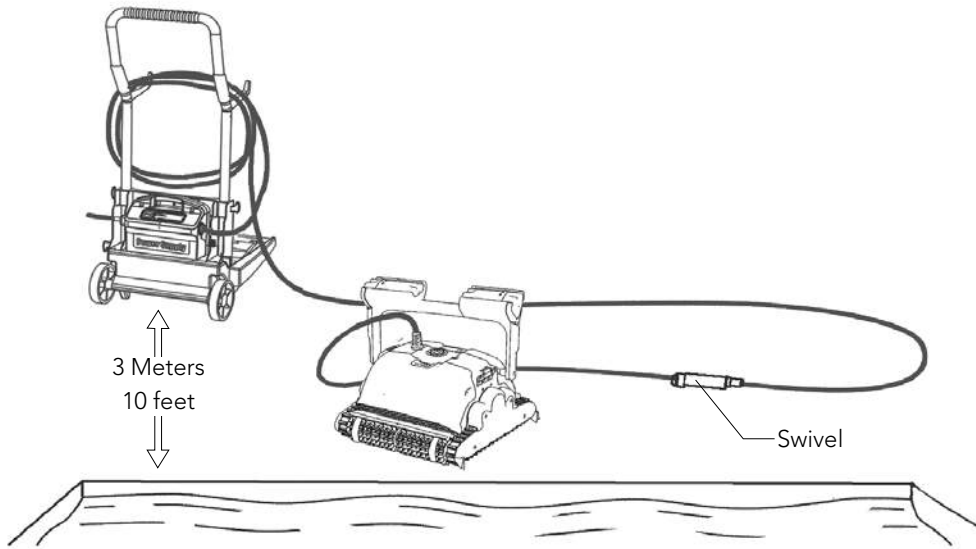
#### Fast advance

Fast speed – for faster but less efficient cleaning action on water-line.



## C. Laying out the cable

Unwind minimal required cable to cover the entire pool size, straight the cable along the pool side. Make sure there are no twists or kinks.

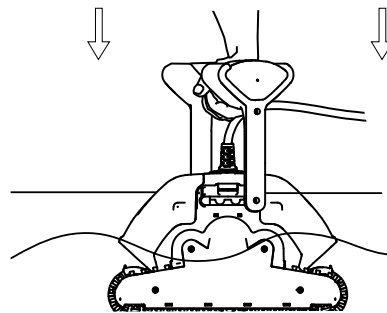


- ⚠ **Use only the original supplied power supply unit.**
- ⚠ **The power supply unit is splash proof – do not immerse it in water.**
- ⚠ **Unplug the power supply unit before any servicing activity.**
- ⚠ **Do not plug the power supply unit in before placing the pool cleaner in the water.**
- ⚠ **Ensure the mains outlet is protected by a ground fault interrupter (GFI) or an earth leakage interrupter (ELI).**
- ⚠ **Important: DO NOT enter the swimming pool while the pool cleaner is working.**

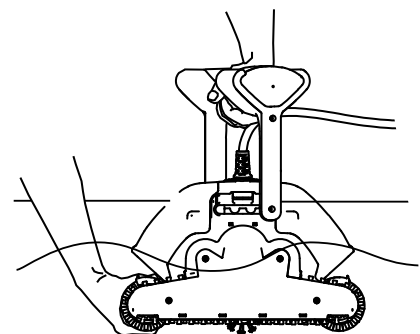
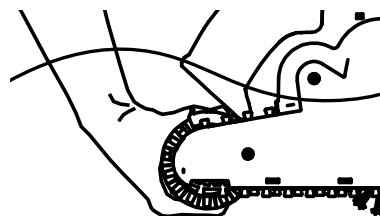
## Part 2 - Into the water

Inserting the Dolphin into the pool.

Place your Dolphin into the pool and release it.

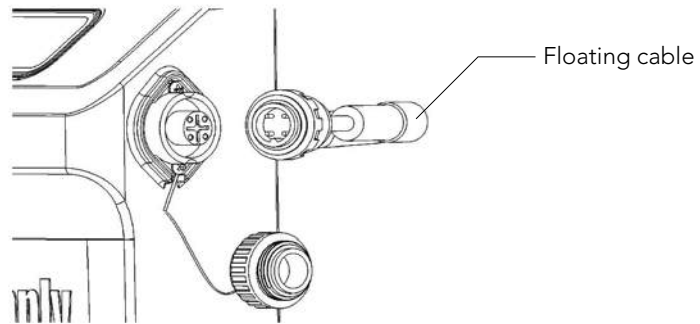


**Note:** When using the combined brushes or Wonder brushes, gently squeeze the Wonder brush material until it is totally wet.

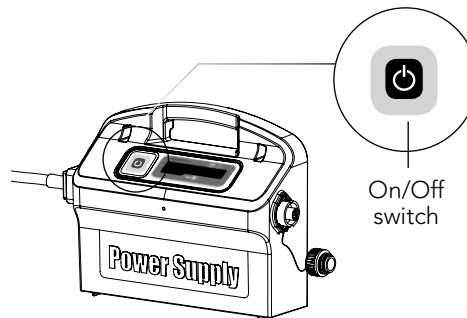


## Turning the Dolphin ON

1. Plug the floating cable from the Dolphin into the power supply unit.
2. Plug the electrical cable from the power supply unit into the mains.



3. Press on the ON/OFF switch.
4. The Dolphin will now start to work.



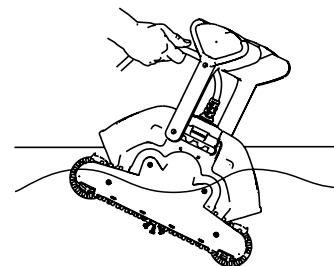
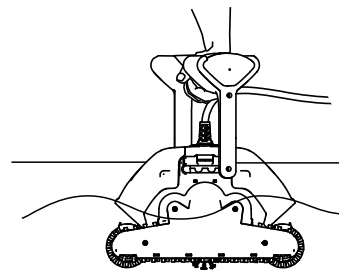
**Note:** If your model includes the remote control unit, please refer to the included instruction leaflet.

**!** **Important: DO NOT** enter the swimming pool while the pool cleaner is working.

## Part 3 - Taking the Dolphin out of the water

**!** Unplug power supply before any servicing activity.

1. If the Dolphin has not finished its cycle, turn off the power supply unit and unplug the mains.
2. Pull the floating cable gently until the Dolphin has risen to the surface, then lift by the handle.

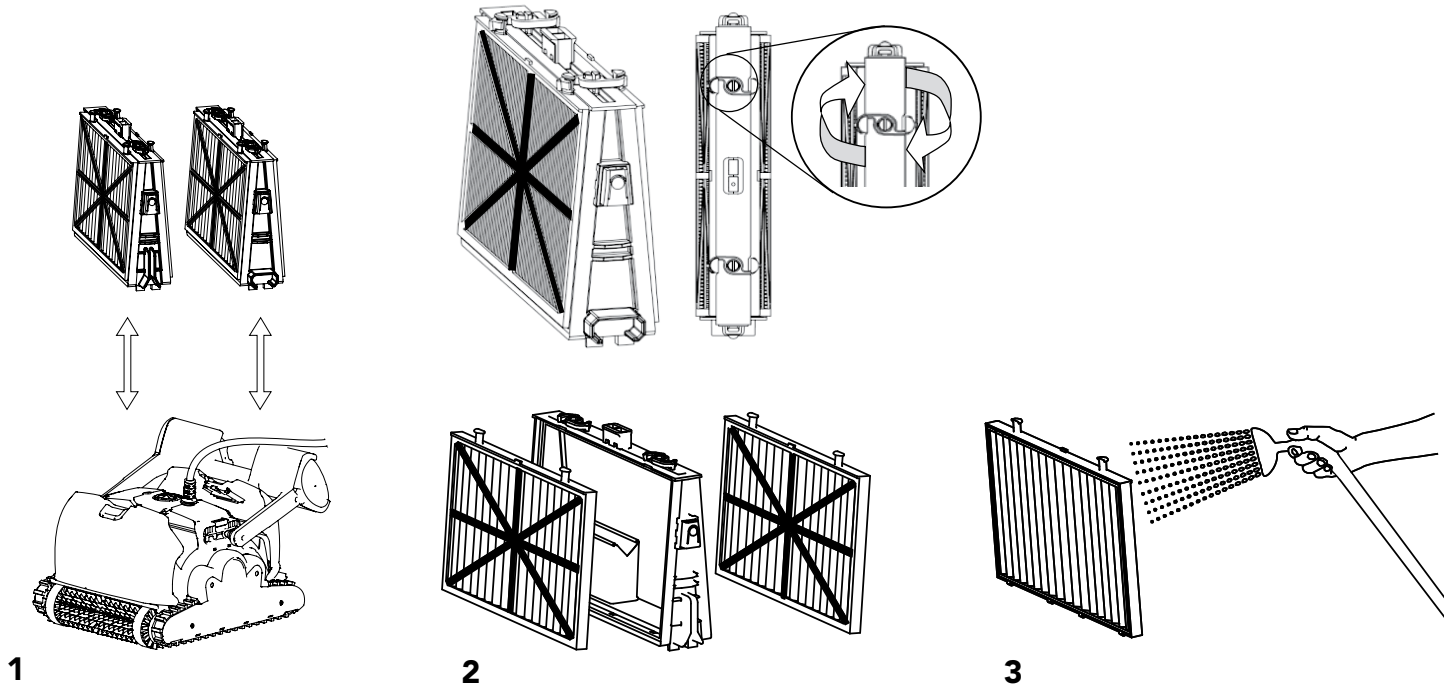


**Important:** Do NOT lift the Dolphin from the water by its cable.

## Section 3 - Routine Maintenance

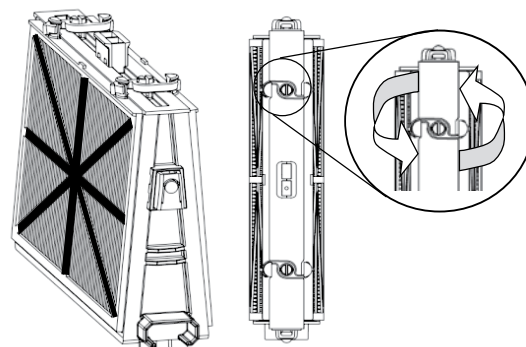
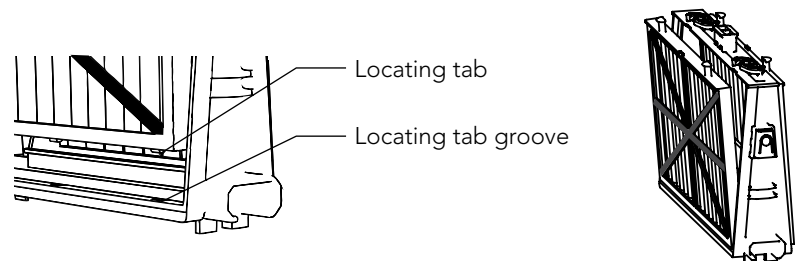
### Part 1 - Extracting and cleaning the filter elements

⚠ Unplug power supply before any servicing activity.

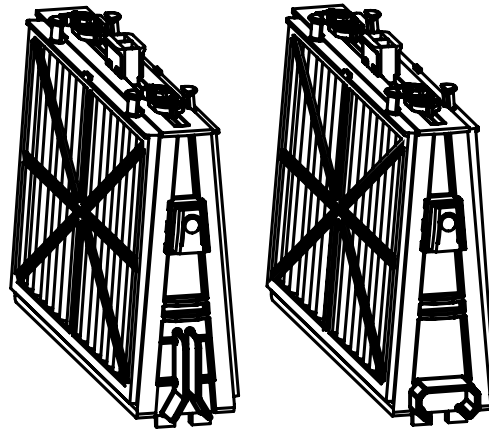


### Reassembling the filter elements

Insert the locating tabs at the bottom of the filter element into their grooves on the base frame, then close the "S" clip.



Reinstall the filters according to the diagram  
DO NOT FORCE THE FILTERS INTO PLACE.



Grooved end fitting

Octagonal end fitting

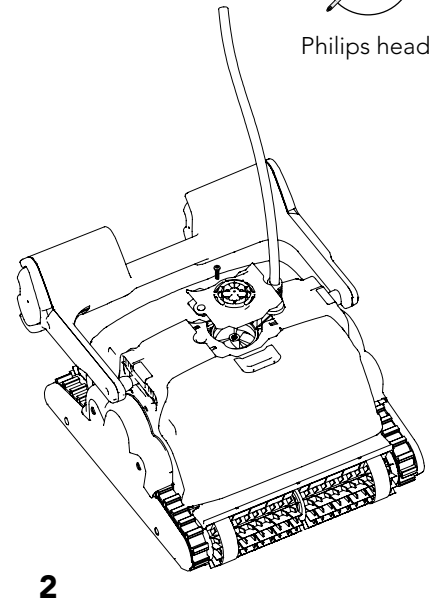
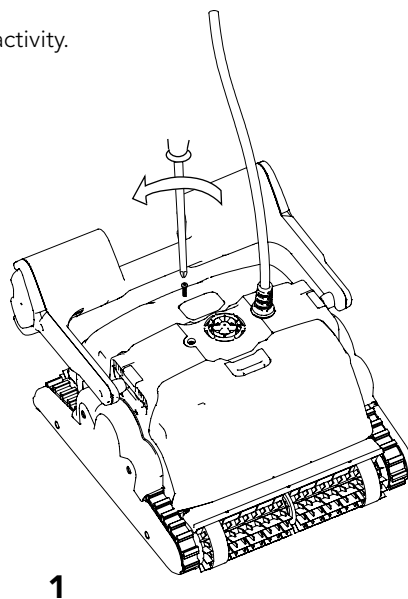
**Important:** Where applicable, you must reset the full filter bag indicator on the power supply unit.

**Recommendation:** Rinse all brushes with clean water after each cleaning cycle.

## Part 2 - Dismantling and cleaning the impeller

⚠ Unplug power supply before any servicing activity.

Dismantle the impeller cover and clean around the impeller housing, then reassemble.



Philips head

## Part 3 - Storage instructions

Coil the cable and store in dry cool area – preferably on the Caddy if available.

- ✗ Do NOT store the Dolphin exposed to direct sunlight.
- ✗ Do NOT store the Dolphin exposed to excessive heat.
- ✗ Do NOT store the Dolphin exposed to frost.

# Troubleshooting Guide

**Before contacting your Dolphin distributor please read through this guide.**

The pool water condition must be within the following parameters:

<b>PH: 7.0 – 7.8</b>	<b>Salt: Max 5,000 ppm</b>
<b>Temperature: 6°C(43°F) to 34°C(93°F)</b>	<b>Chlorine: Max 4 ppm</b>

<b>Symptom</b>	<b>Solution</b>
Cable twisting or cable coils up	Check for any obstruction in the pool
	Remove excess cable from the pool
	Make sure filter cartridge is clean
	Straighten cable and lay it in the sun periodically
Dolphin is moving in circles or does not reach all pool areas	Check for foreign objects in moving parts
	Make sure filter cartridge is clean and well mounted and that the filter doors are closed
	Make sure that there is enough cable laid out to cover the whole pool
	Before using the Dolphin at the beginning of the season you should brush any algae from the floor and walls of the pool
Dolphin is not traveling sideways on walls	Adjust the diagonal angle of the handle
Dolphin does not climb walls	Make sure the filter cartridge is clean
	If using the Dolphin at the beginning of the season, use the spring cartridge
	Check if brushes are suitable for pool coating and replace them if necessary
	Check if brushes are worn and replace them if necessary
	Make sure the impeller area is clean
	Check that the RCU is set for climbing
Dolphin not sinking	Make sure the Wonder brushes or the combined brushes are soaked in water
Dolphin disengaging from wall at water line	If Dolphin climbs too high consult your Dolphin distributor
RCU is not working	Check if the batteries need replacing
Motor is not working	Check if the impeller is blocked
	Check if the drive system is blocked
	Electrical problem (power supply), check power source. If power source is in order, please contact your Dolphin distributor

Additional troubleshooting is available at our Website:  
**[www.maytronics.com](http://www.maytronics.com)**