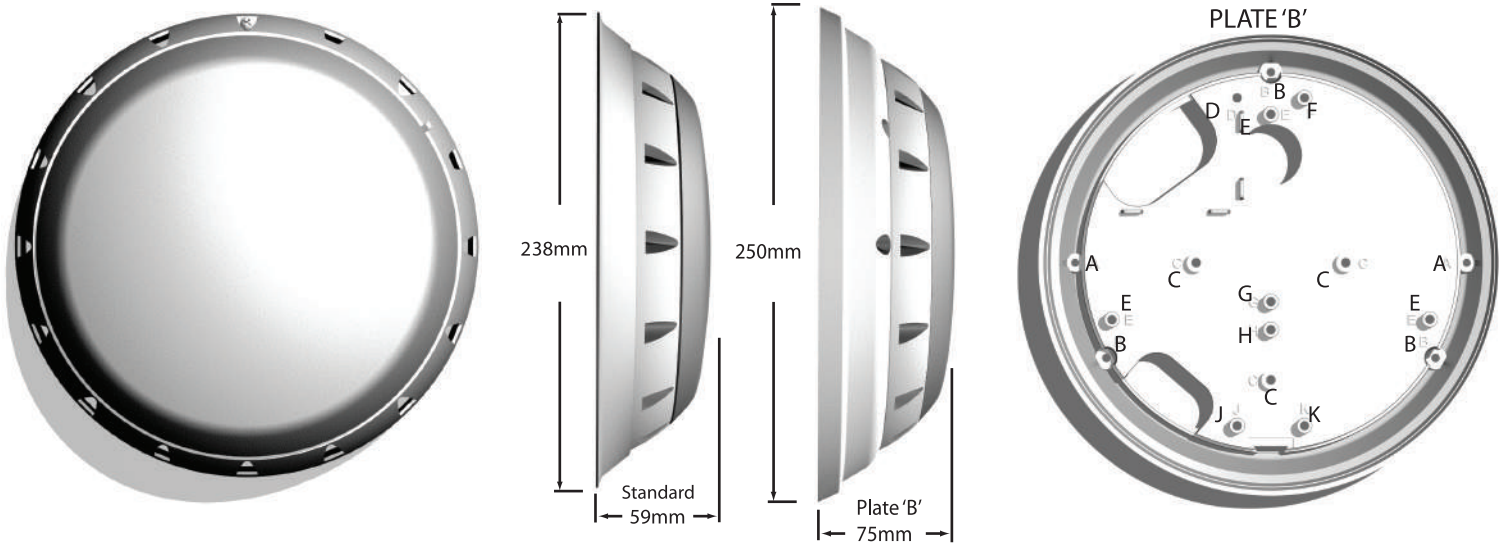


GK RETRO

Installation Manual



Please Read this first.

GK-Retro LED

The GK-Retro LED Light now utilises **variable voltage operation** allowing the light to operate on any existing **12v AC / 24v AC or 32v AC** power supply.

NOTE:

The use of DC / Electronic (or switch mode) power supplies is **not** permitted as they can cause disruptions in the lights normal operation & in some cases damage the lights internal electronic components. For more information, please contact Spa Electrics Pty Ltd.

All Models

- For safe & proper installation, use only parts (screws, plugs, sealant etc) provided.
- For Multi Colour operation, please refer to the multi colour Operating Instructions.

WARNINGS

- The GK-Retro Light must be water cooled at all times. DO NOT switch the light on until installation is complete and the light is fully submerged in water.
- Ensure sufficient cable is coiled behind the light to allow for servicing (approx. 600-1000mm)
- Ensure only circular cable not exceeding 10mm diameter is connected to the GK-Retro Light. The Use of Fig. 8 or TPS cable will not seal correctly & will void the product warranty.
- The GK-Retro LED Light does not contain any user serviceable parts, opening the light will void the product warranty.
- When using the 'B' plate for fibreglass installations - ensure that silicon sealant is applied to fixing screws to seal the fibreglass wall.
- The GK-Retro Light is NOT suitable for horizontal mounting.

Replacement Matrix

POOL LIGHT (BRAND NAME)	TILED	F/GLASS	RENDERED	PLATE	REMOVE TABS
STROUD C150	X	X	X	STD	
WATERCO	X			STD	
		X		B	E,G,H
POOLRITE	X			STD	
		X		B	D,E,F,G,H,J,K
SPA ELECTRICS SE3	X			STD	
		X		B	D
QUESTA / WATERLINX / MAGIC POOL PRODUCTS	X			STD	
		X		B	D
DEGA	X			STD	
SWIMWORLD (WITH STEEL WALL RING)	X			STD	
SWIMWORLD	X	X	X	B	
AQUAQUIP	X			STD	
		X	X	B	
FILTRITE	X	X	X	B	Conversion kit GK6710 required

Spa Electrics Pty Ltd assumes no responsibility or liability for pool light conversions that are installed incorrectly or connected to faulty or non approved cables or transformers.

Installation

retro
SERIES

** Unplug or isolate pool light transformer before commencing installation **

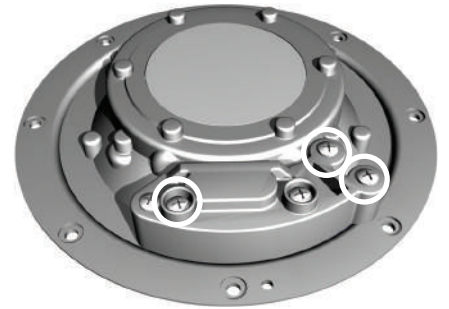
Step 1.

- Remove the existing pool light and mounting bracket.
(For fibreglass/vinyl installations ensure the cable gland remains attached to pool wall).
- Select the appropriate Retro backplate based on the replacement matrix.
- Utilising the existing mounting holes, affix the Retro bracket to the pool wall ensuring that the 'TOP' marking on the backplate is facing up.



Step 2.

- Remove the 3 screws from the GK-Retro terminal cover.
- Remove the pre fitted cable gland.



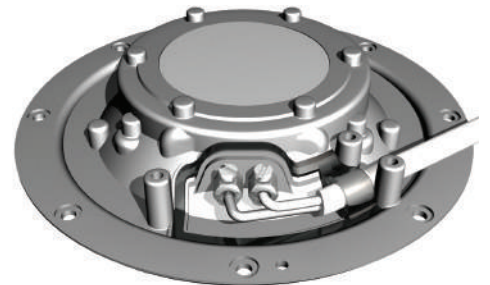
Step 3.

- Select the appropriate cable gland for those provided.
- Ensure the gland fits firmly onto the existing cable to ensure a water tight seal.



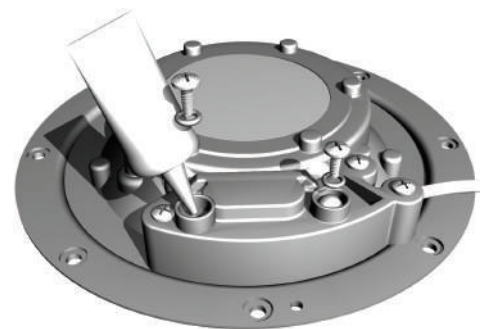
Step 4.

- Connect the cable to the GK-Retro terminals.
Note: The GK-Retro series lights operate on AC voltage so there is no polarity.
- Position the gland into the seat and run a finger around the gland to ensure correct fitment.



Step 5.

- Affix the terminal cover using the 3 x screws provided (As removed in step 2).
- Remove the 2x filler screws & O'Rings (as shown).
- Heat the sealant tube by rubbing between hands gently to soften the contents for easy application.
- Inject the sealant into the filler hole as shown, until sealant is clearly visible in the adjacent hole.
- Replace the 2x O'Rings & screws and gently tighten by hand.



Step 6.

- Lower the light into the water and begin coiling the cable behind the light fitting.
- Insert the base of the GK-Retro light into the base of the backplate and tilt the light back into position.
- Insert the M4x12 screw into the hole at the top of the light and gently tighten.
- Once the light is fully submerged in water, it is ready for use.

