

# AQUA-STAR HALOGEN LIGHTS FOR CONCRETE POOLS

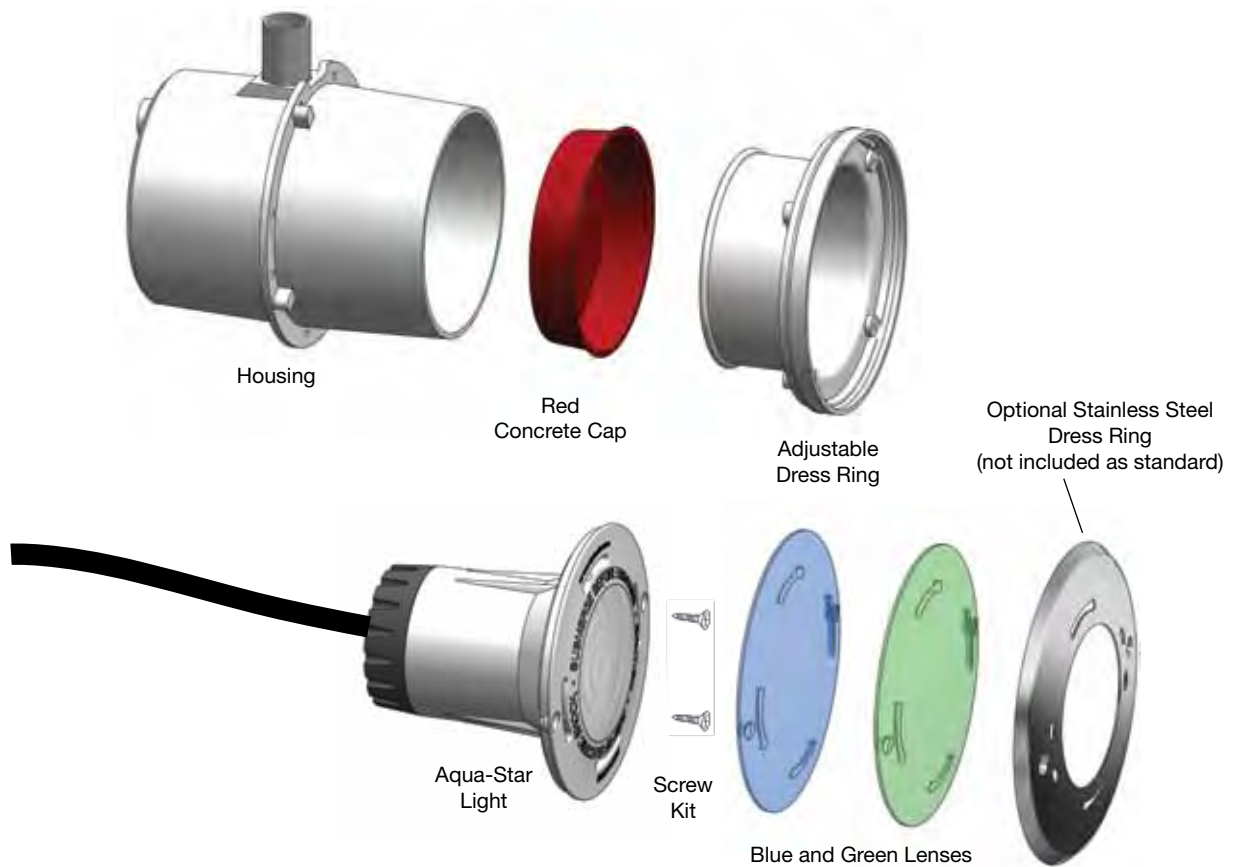
## INSTALLATION INSTRUCTIONS

**INSTALLER** - READ ENTIRE INSTRUCTION SHEET BEFORE PROCEEDING TO INSTALL.

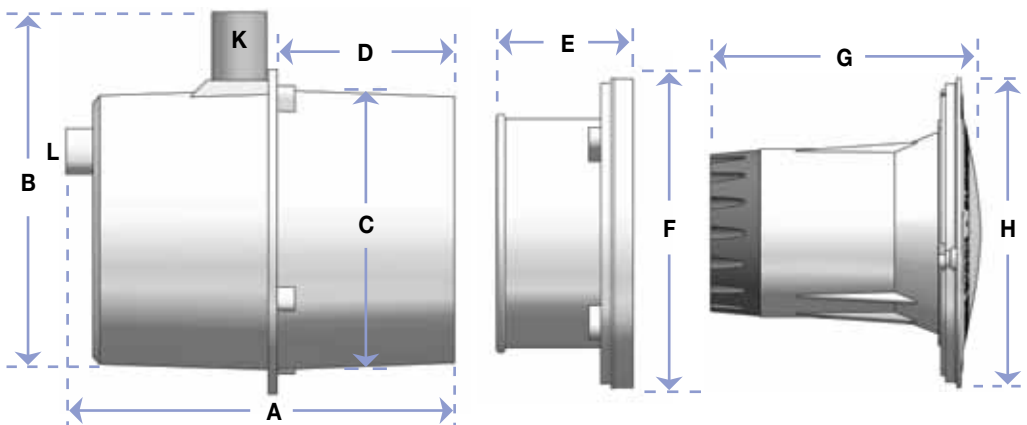
**POOL OWNER** - PLEASE KEEP THESE INSTRUCTIONS FOR FUTURE REFERENCE.

**PLEASE NOTE**  
**THESE INSTALLATION INSTRUCTIONS APPLY TO**  
**AQUA-STAR HALOGEN LIGHTS FOR CONCRETE POOLS ONLY.**

Included in the package are the following items:



Aqua-Star Flush Mounted Pool Light – Concrete



CODE	DIMENSIONS (mm)
A	171
B	169
C	120 max
D	79
E	63
F	143
G	120
H	135

**K** Accepts 20mm conduit or 25mm socket

**L** Accepts 20mm socket

Dimensions for the major components are obtained by cross-referencing the relevant code against the table.

## HOUSING INSTALLATION

**Housing Installation** – see Diagram 1

- 1 **Aqua-Star Housing** should be tied to the steel reinforcing, before concreting the pool. A **red Concrete Cap** is supplied to fit inside the front of the Housing prior to concreting.
- 2 The **Housing** has two conduit connection points to accept rigid PVC conduit, do not use flexible conduit. Choose the appropriate provision for the situation and run conduit above water level to form an anti-siphon loop. Top provision accepts 20mm conduit or 25mm conduit fitting. Rear provision accepts 20mm coupling. If using the **Rear Provision**, be sure to plug the **Top Provision** using a 25mm conduit cap.
- 3 Use tie wire or cable ties through the holes on the outer perimeter of the **Housing** to securely fasten it to the steel reinforcing bars. Position the **Housing** so that the front will finish level with the concrete.
- 4 It is very important to locate **Housing** at a suitable location and depth to allow for future servicing of the pool light. Excavate sufficiently around the rear of the **Housing** to allow approximately 100mm of concrete to encase it. If pool is out of ground and fully formed, ensure the formwork allows for concrete to encase the **Housing**.
- 5 During pouring/spraying, concrete should be undercut around the front perimeter of the **Housing** to allow for a construction adhesive to be applied prior to the application of the internal pool surface.
- 6 Concrete should be applied to reduce the likelihood of a void occurring on the underside of the **Housing**. Once concrete has cured, construction adhesive must be applied around the **Housing** to seal it to the concrete.

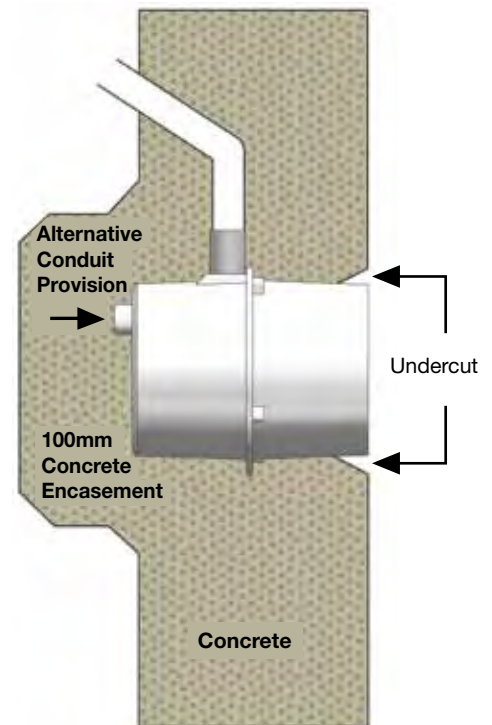
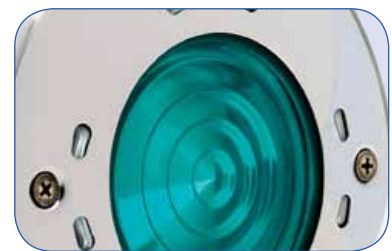


Diagram 1 – After Concreting

### TECHNICAL SPECIFICATIONS AQUA-STAR HALOGEN FLUSH MOUNTED POOL LIGHTS

Nominal Supply Voltage:	12V AC 50/60 Hz
Voltage Tolerance:	+2%, -10%
Protection Rating:	IPX8 (to 2.0m depth)
Temperature Range:	-10°C ~ +40°C water temperature
Power Consumption:	50 VA
Lamp Life:	2,000 hours
Light Output (typical):	900 Lumens



Aqua-Star Halogen Lights must only be operated underwater as they are water-cooled.

Install in an accessible location, ensure that sufficient cable is wound up inside the housing to allow the light to be floated to the deck level. If being installed facing up, ensure that there is minimum 100mm of water cover and change globe to max 30 watts.

Aqua-Star Halogen Pool Lights can be installed on a vertical or horizontal pool surface. Up to 1.6m of cable can be wound up inside the Concrete Housing.

## DRESS RING INSTALLATION

### Adjustable Dress Ring Installation –

After Concreting and Sealing (Diagram 2)

**7** Remove **red-coloured Concrete Cap**. Use pvc glue or construction adhesive to secure the **Adjustable Dress Ring** inside the **Housing** to your required depth and alignment. If **Housing** protrudes out from the concrete, a maximum of 20mm can be cut off from the front. If the housing has been set back too far in the wall, then a special extension ring (P/N ASL 076) is available. The eyeball feature on the **Adjustable Dress Ring** allows adjustment so that the **Adjustable Dress Ring** face can be aligned flush with the anticipated pool interior finish even if the **Housing** is out of alignment. When gluing or securing the **Adjustable Dress Ring**, ensure that 2 of the screw holes are located horizontally.

**8** The **Cable** can be drawn through, excess cable must be coiled up and stored inside **Housing**.

**Important: Allow enough cable to enable pool light to be floated to pool deck.**

**9** The **Adjustable Dress Ring** is now in position ready for the pool interior to be applied. Pool interior should finish flush with the front face of the **Adjustable Dress Ring**.

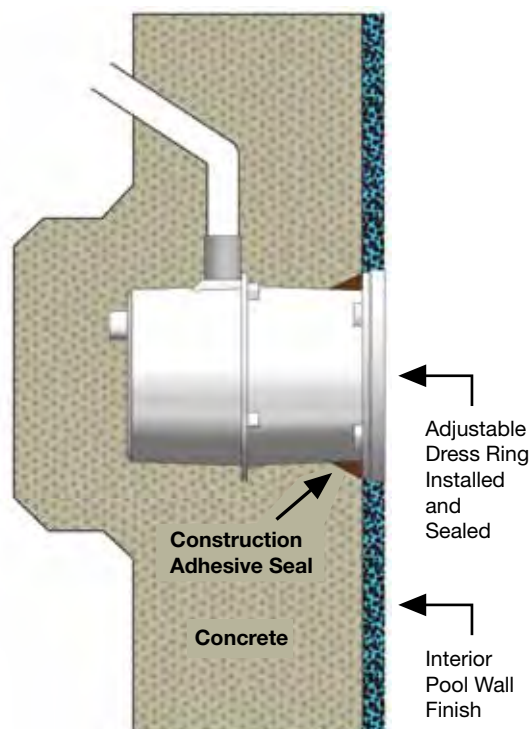


Diagram 2 – Sealing

### AQUA-STAR HALOGEN POOL LIGHTS – PARTS

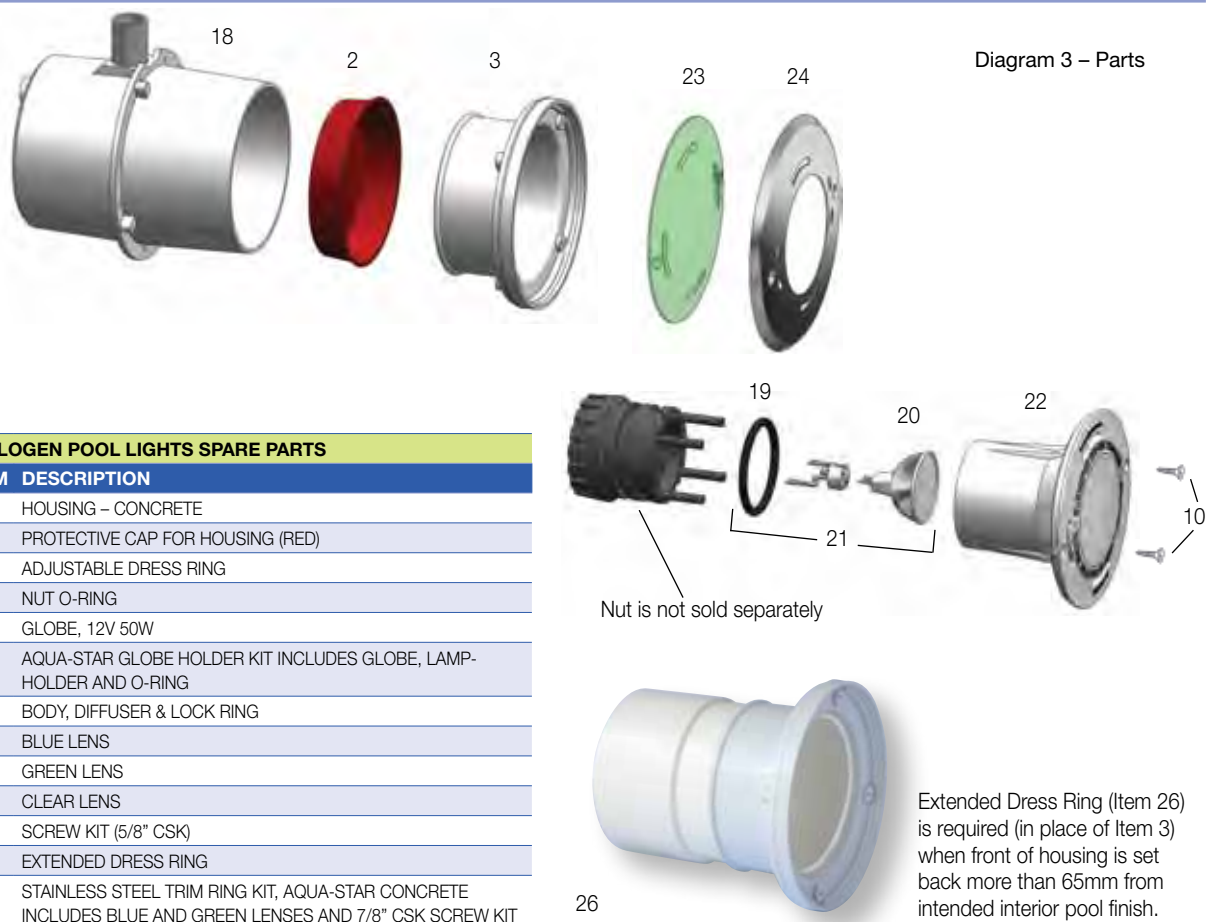


Diagram 3 – Parts

#### AQUA-STAR HALOGEN POOL LIGHTS SPARE PARTS

CODE	ITEM	DESCRIPTION
ASL 050	18	HOUSING – CONCRETE
ASL 116	2	PROTECTIVE CAP FOR HOUSING (RED)
ASL 051	3	ADJUSTABLE DRESS RING
ASL 054	19	NUT O-RING
ASL 102	20	GLOBE, 12V 50W
ASL 101	21	AQUA-STAR GLOBE HOLDER KIT INCLUDES GLOBE, LAMP-HOLDER AND O-RING
ASL 052	22	BODY, DIFFUSER & LOCK RING
ASL 070	23	BLUE LENS
ASL 071	23	GREEN LENS
ASL 074	23	CLEAR LENS
ASL 065	10	SCREW KIT (5/8" CSK)
ASL 076	26	EXTENDED DRESS RING
ASL 056	24	STAINLESS STEEL TRIM RING KIT, AQUA-STAR CONCRETE INCLUDES BLUE AND GREEN LENSES AND 7/8" CSK SCREW KIT

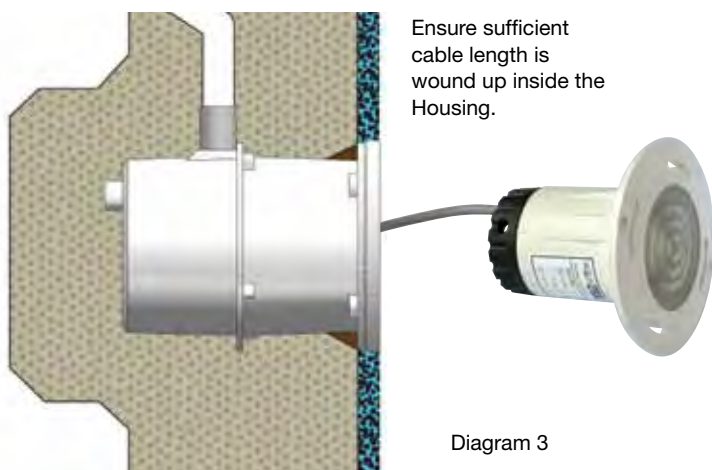
## POOL LIGHT INSTALLATION

### Pool Light Installation

**10** Clean any debris that may have entered the **Housing** and **Adjustable Dress Ring** during pool construction. Insert and coil up excess cable into the **Housing**. Aqua-Star Halogen self-locates onto the **Adjustable Dress Ring**, use two 5/8" CSK stainless steel screws provided to attach pool light to **Adjustable Dress Ring**, do not overtighten. Blue and green lens covers are included, fit either onto the light before securing light to the Adjustable Dress Ring.

**11** Fit optional Polished **Stainless Steel Trim Ring** if required, using the 7/8" CSK stainless steel screws provided in the Stainless Steel Trim Ring Kit.

**12** Only turn pool light on when completely submerged under water.



### AQUA-STAR GLOBE CHANGING INSTRUCTIONS

- 1) Unscrew the 2 stainless steel screws, remove stainless steel trim ring and/or coloured lens if fitted.
- 2) Float the light to the surface and place on deck.
- 3) Grip the rear black nut with multi grips or use a screwdriver through the two holes in the black nut and ¼ turn anticlockwise whilst holding the white body of the light. This will remove the nut from the body, exposing the globe.
- 4) Remove existing globe by gently pulling the top of the reflector, do not pull on the glass. Replace the globe using a 12v 50w MR16 Globe, 55-60 degree beam. Never touch the glass when replacing the globe.
- 5) Replace and lubricate the nut o-ring. The replacement and lubrication of this o-ring is necessary any time the Aqua-Star light is disassembled. Only use silicone based lubricants.
- 6) If ceramic lamp holder is damaged or corroded, then it should be removed using long nosed pliers. The male spades of the new ceramic lamp holder will push into the female spades. Replacement ceramic lamp holders are available in kit form.
- 7) To re-insert nut into body. Place light body onto folded towel on ground with clear diffuser facing down. Align the mark on the nut with the alignment mark on the body, firmly push nut into body and ¼ turn clockwise.
- 8) Excess cable can be loosely wrapped around the body and/or inserted into the rear of the housing.
- 9) Remount the light (and coloured lens and stainless steel trim ring if fitted) to the dress ring using the 2 stainless screws. Fully submerge before operating.

### ELECTRICAL CONNECTION AND OPERATION

- Install Light(s) and Transformer(s) in accordance with AS/NZS 3000:2007 as amended.
- Aqua-Quip's extra low voltage Transformers have either 2 or 4 secondary outputs, each being 12v 50VA, refer to Diagram 4.

### TRANSFORMERS

Diagram 4 – Transformers

